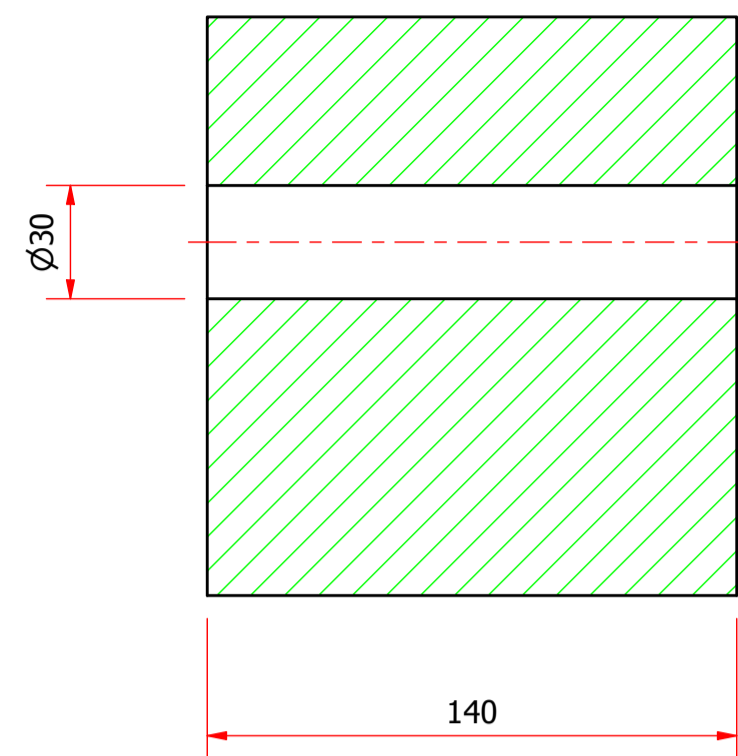
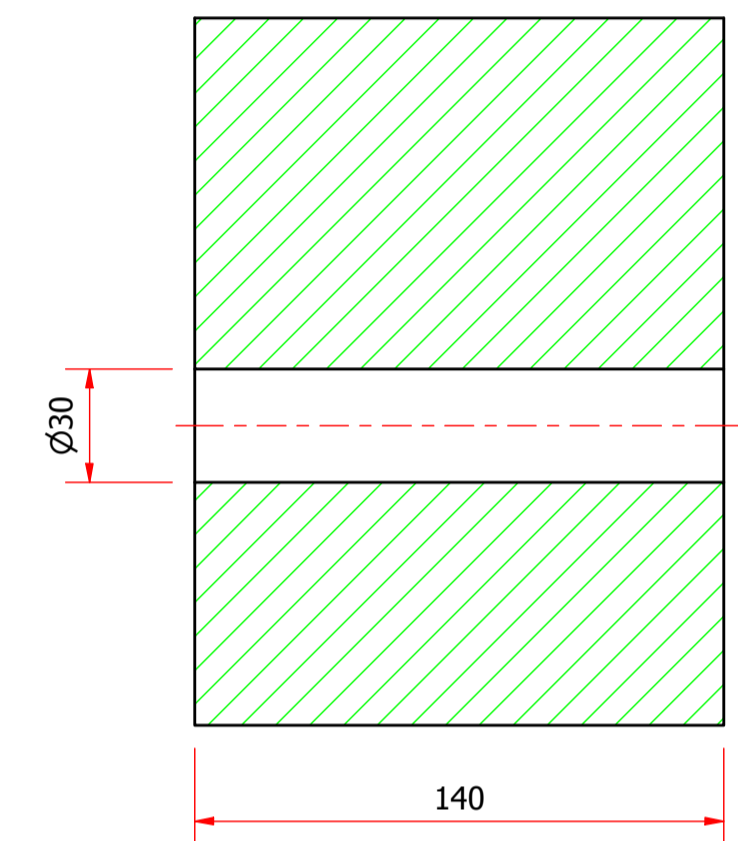


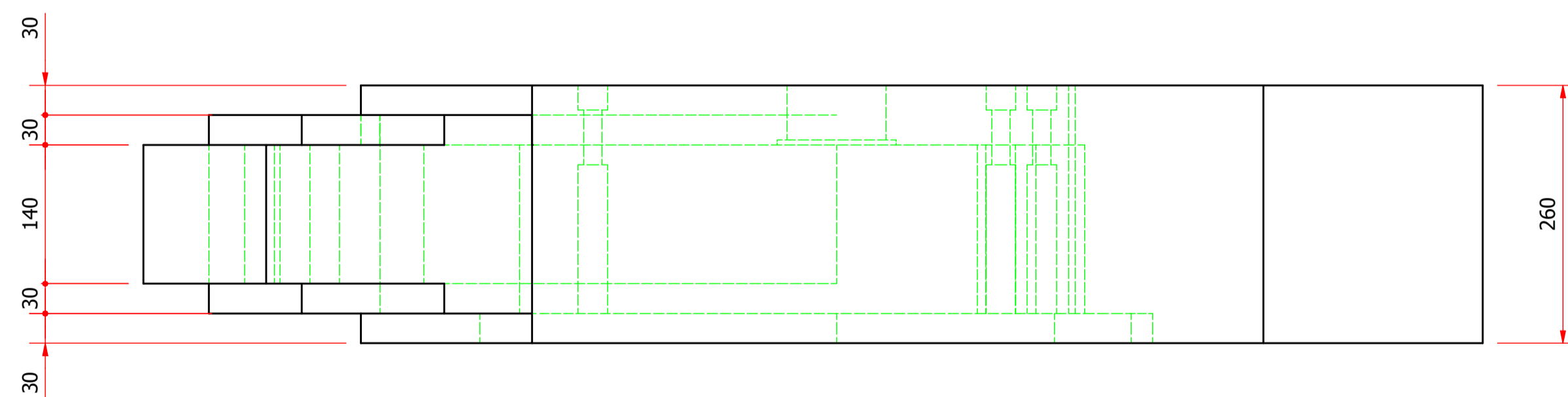
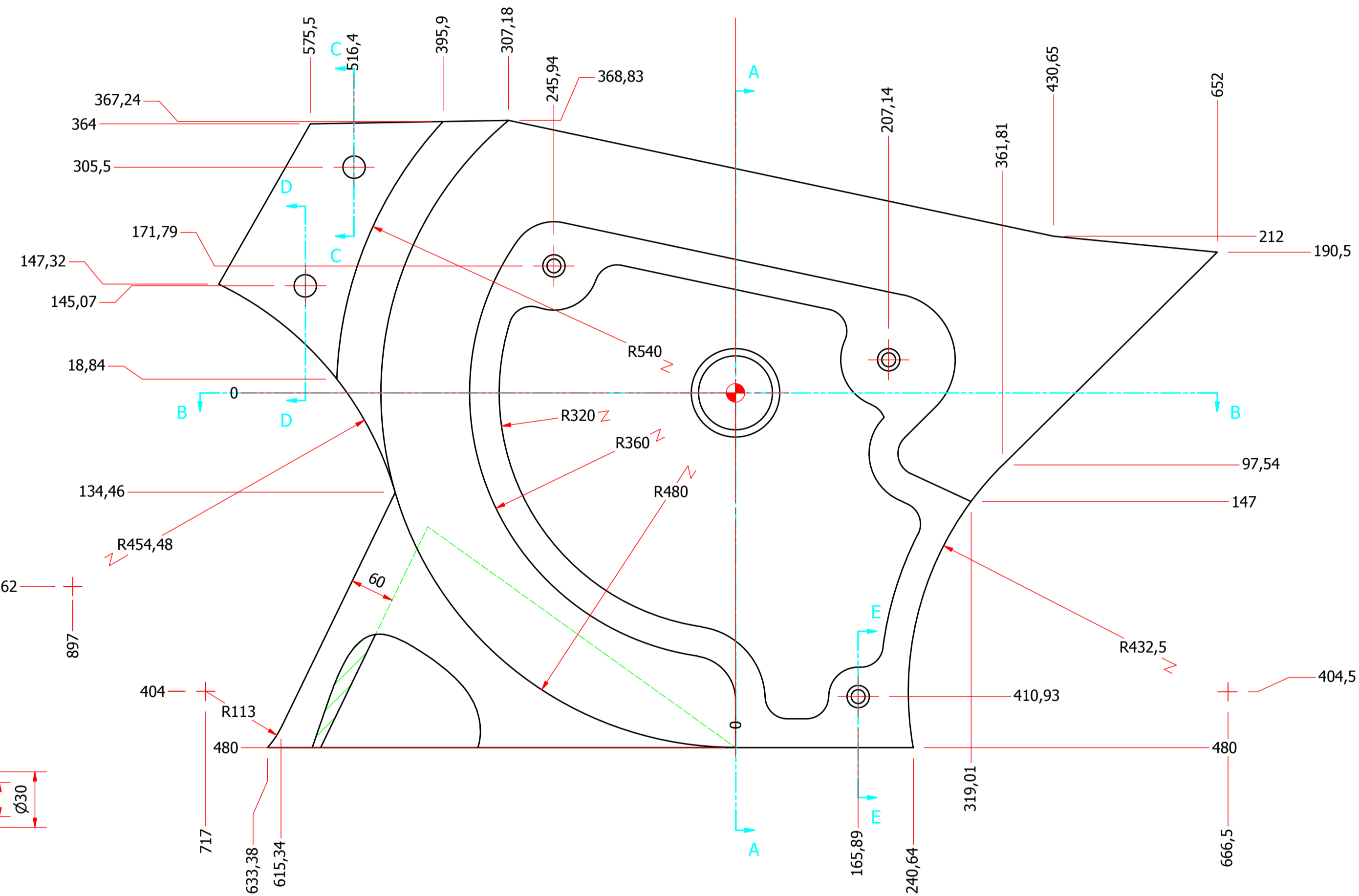
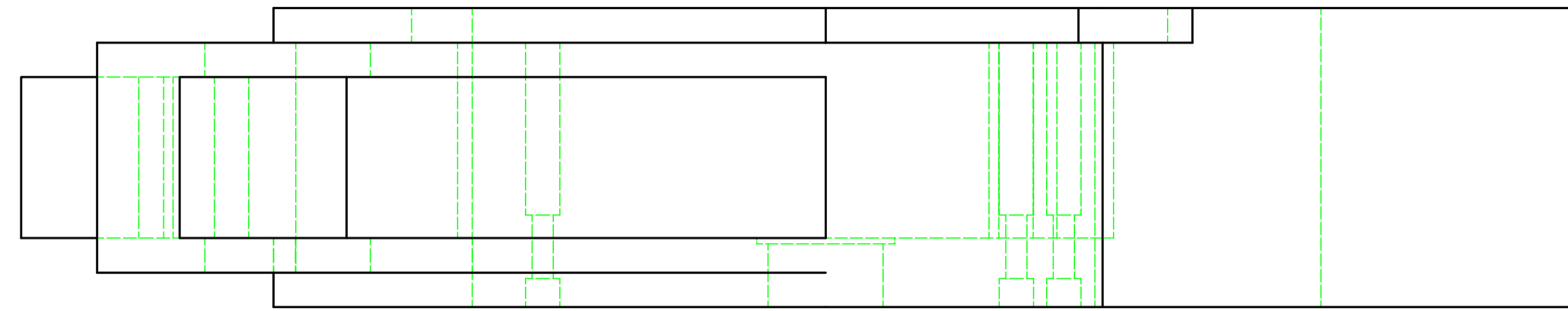
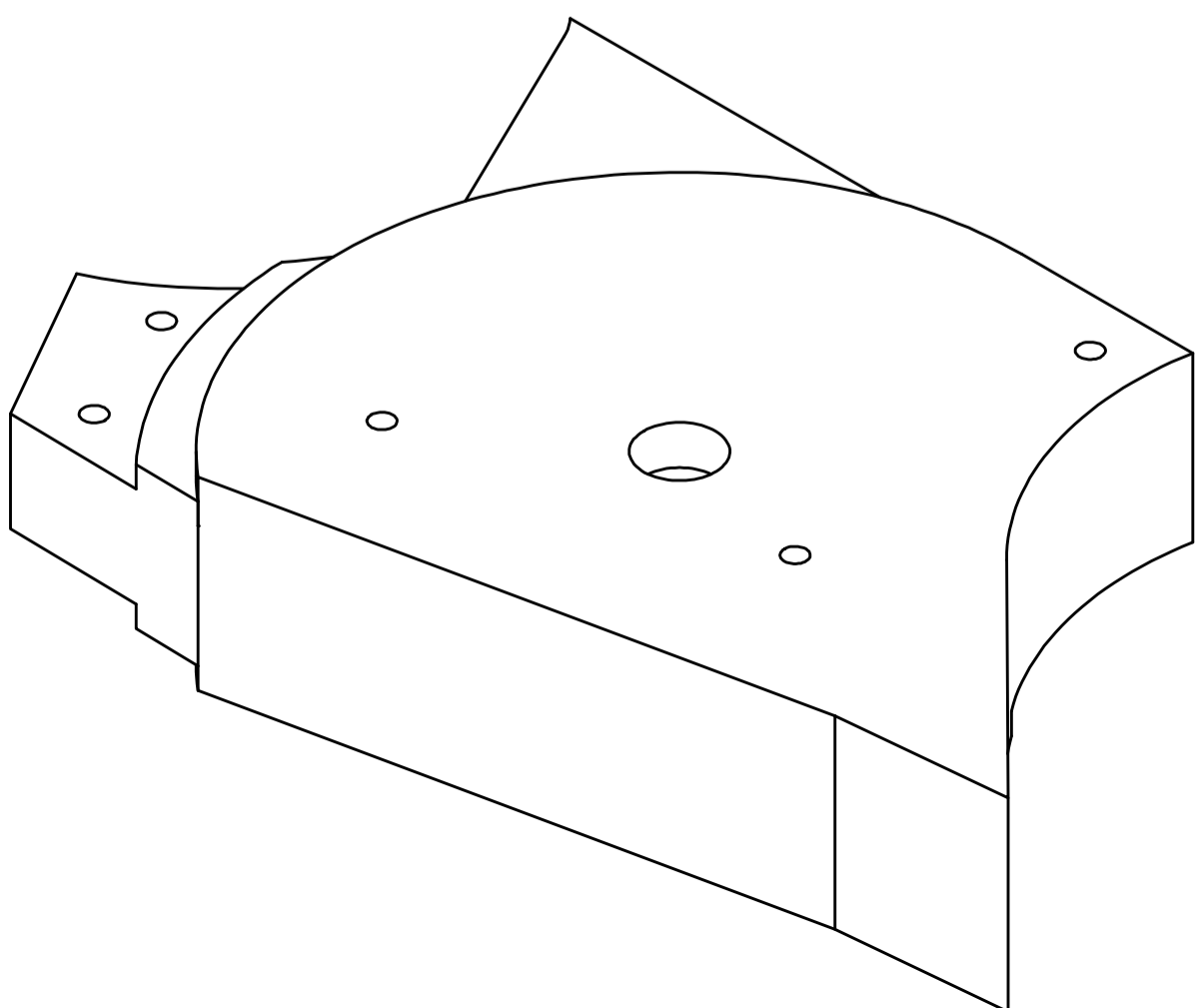
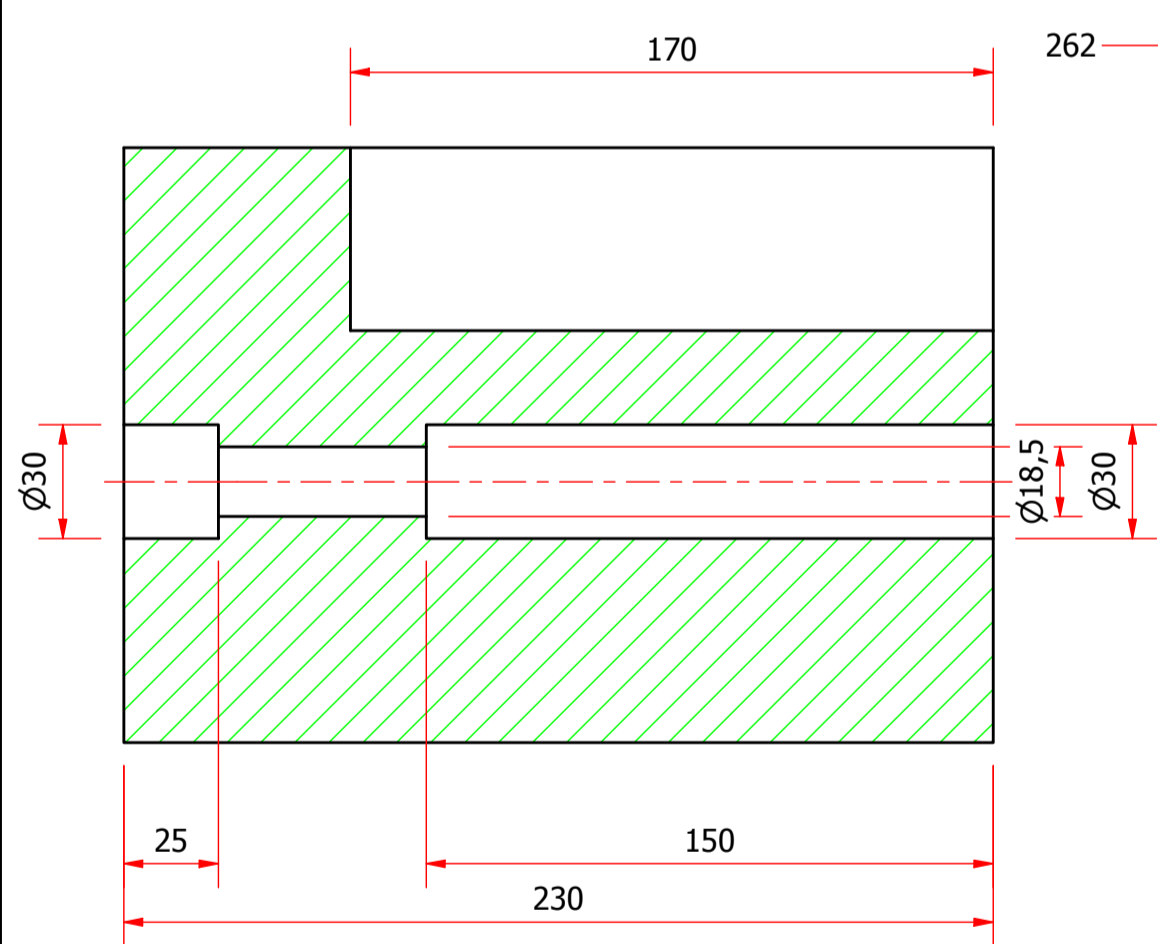
C-C (1:2)



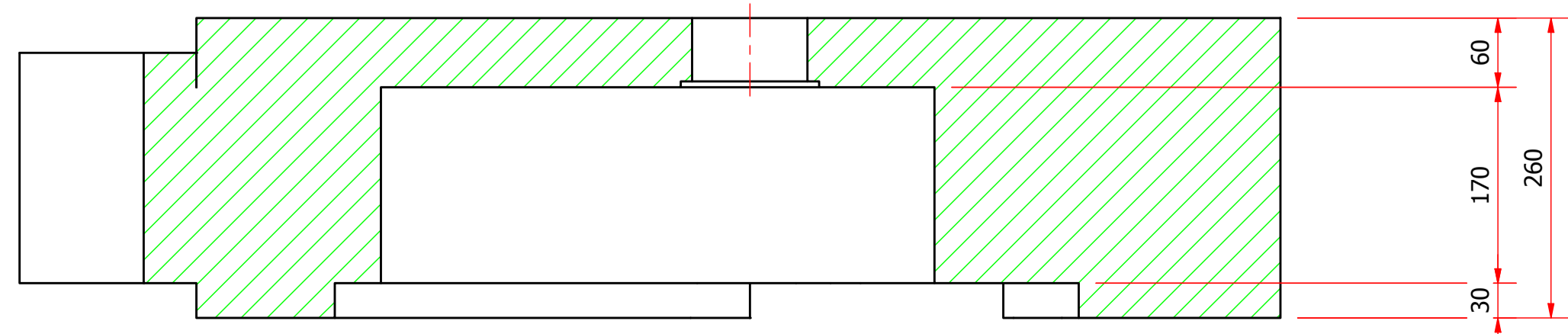
D-D (1:2)



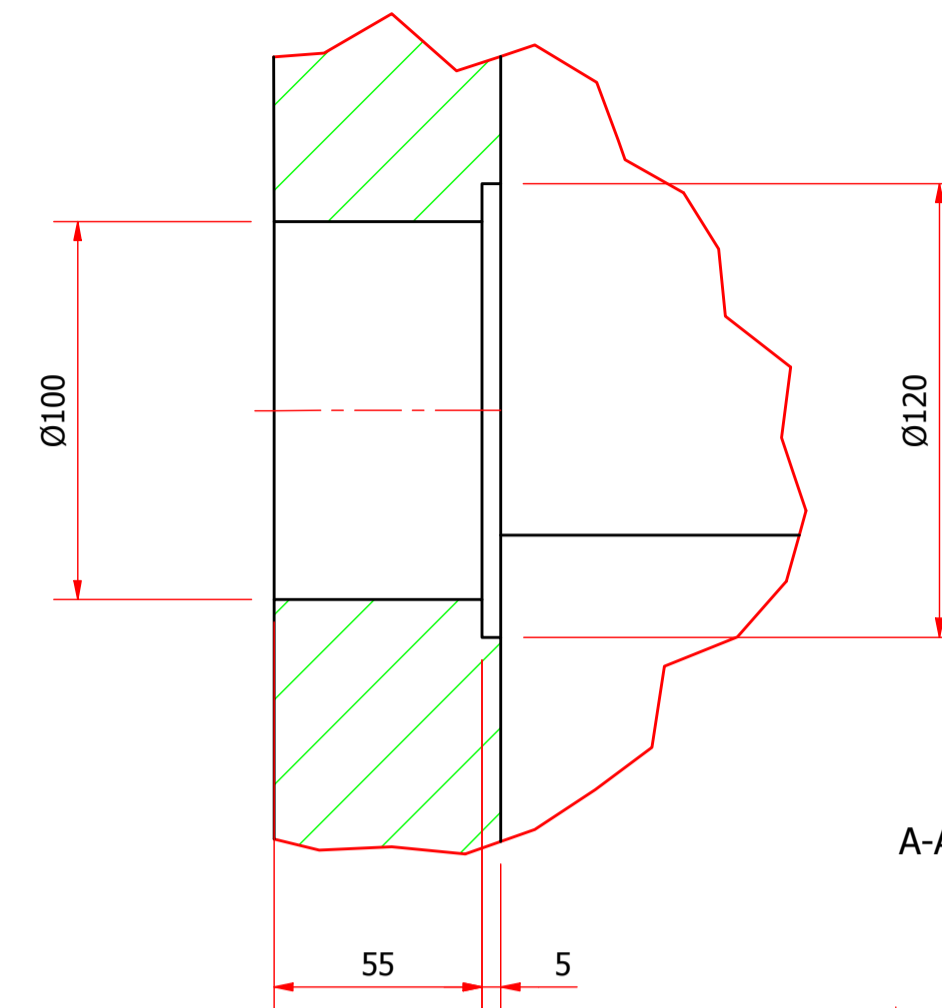
E-E (1:2)



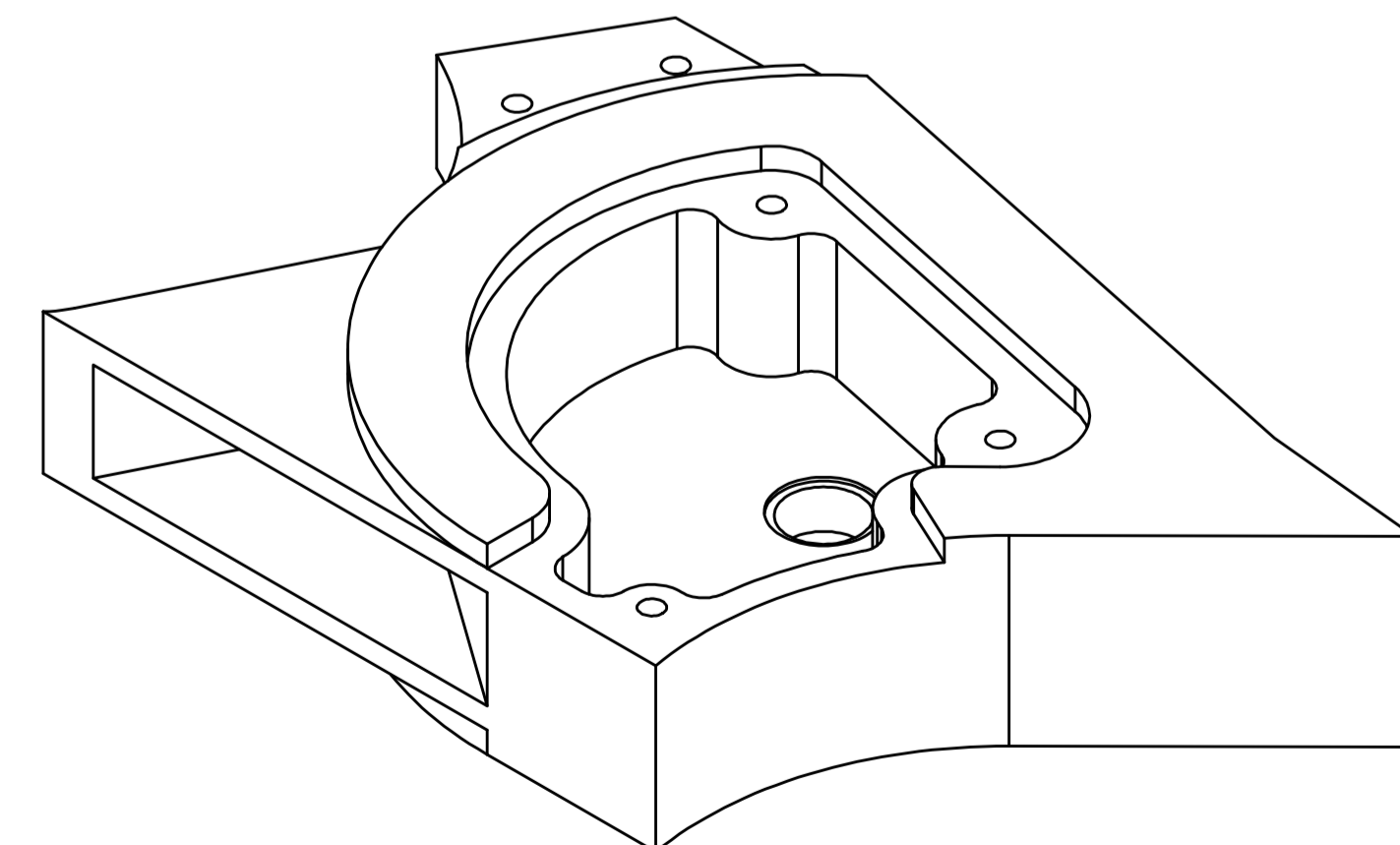
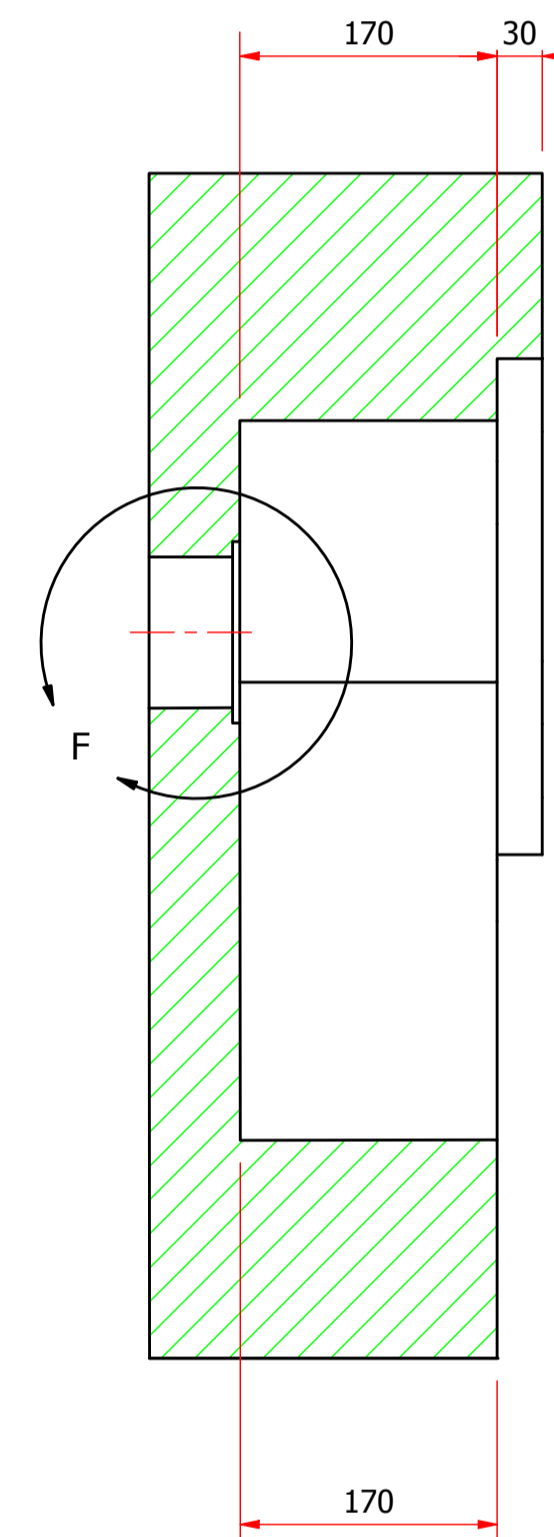
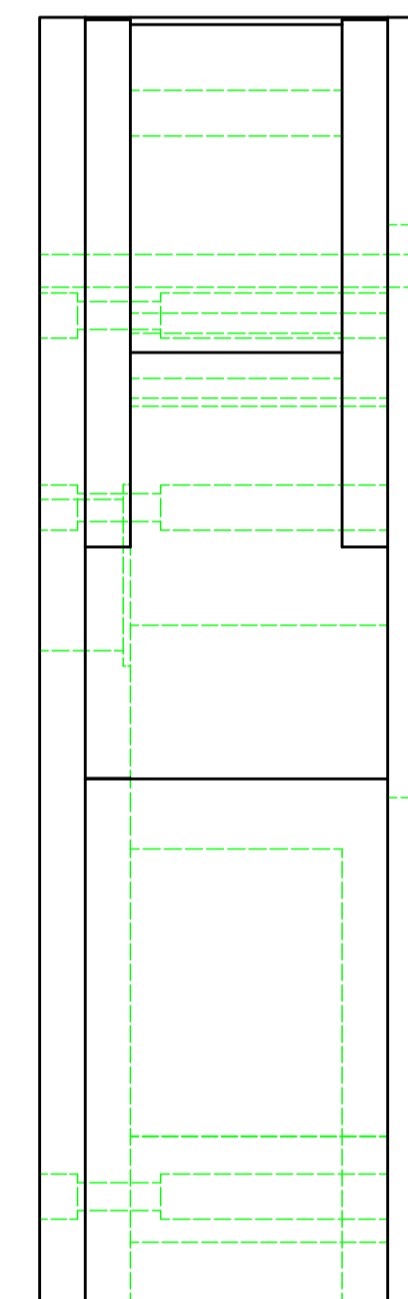
B-B (1:5)



F (1:2)



A-A (1:5)



| | | | |
|----------------------------|------------|----------------|--------------|
| UMBERTO CAVENAGO | | PROJECT | |
| | | DESCRIPTION | |
| Materiale : | | CODE | 0 23/07/2019 |
| Trattamento : | | | 1 |
| Peso : | 330,759 kg | DRAWING | 2 |
| Progettato da / Drawn by | S.I. | C-DUU-003 | 3 |
| Approvato da / verified by | %S | | |
| Data / Date | 13/07/2019 | Scala / Scale | 1:5 |
| Formato / Size | A1 | Foglio / Sheet | 1 / 1 |